

# Full IP67 LCD Display



Compare Noted book & Rugged tablet pc drop test



FRONT VIEW



BOTTOM VIEW

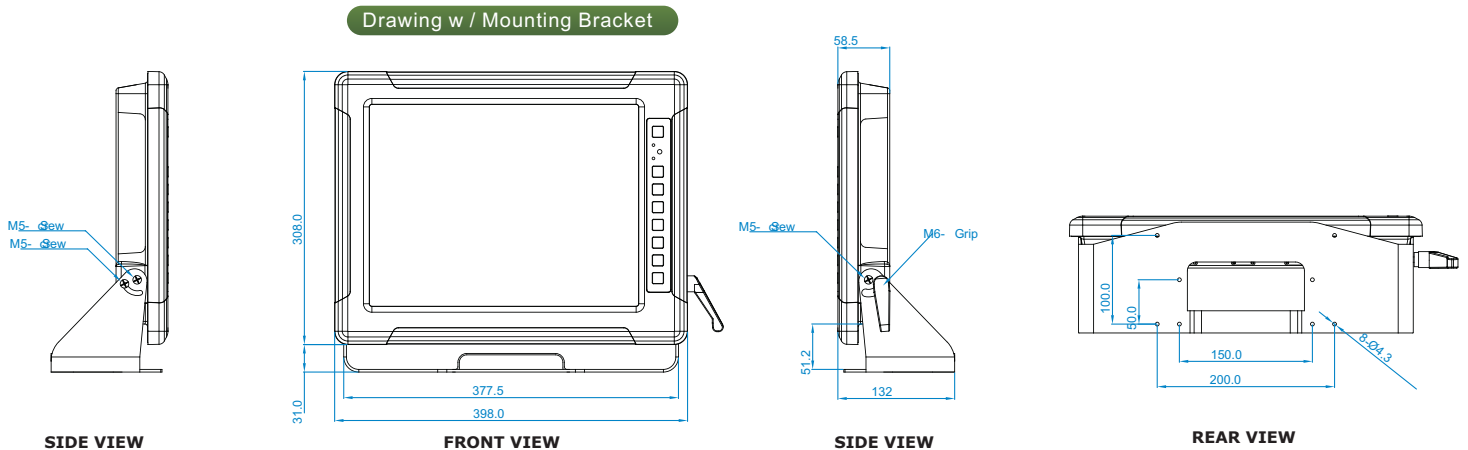
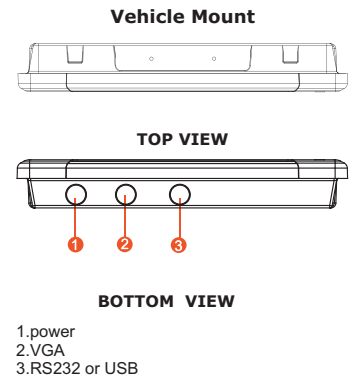
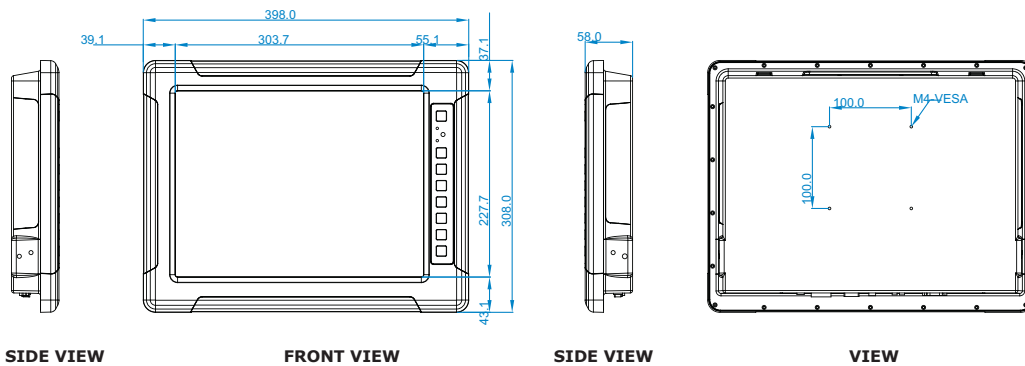
## Features :

- Quality 15" XGA Panel, 1024\*768 resolution,800 nits
- Full IP67 Dust/water resistant Protection
- Aluminum Housing with Anti-Corrosion Treatments
- Optical Bonding with anti moisture treatment
- Anti-Shock and Vibration Standard according to MIL810F & IEC6 0068-2-27
- 5 Wire Resistive Touchscreen / Anti-Reflection Protection Glass(Optional)
- Wide Range 8 to 36V DC Input Acceptable(Optional)

INFORMAZIONI  
**0187-63.19.20**

**Microdata**  
Sistemi

# Full IP67 LCD Display



Measurements shown in mm / All Dimensions are  $\pm 0.5$  mm

\* Note: this is a simplified drawing and some components are not marked in detail. Please contact our sales representative if you need further product information.

## Display Characteristics

Pixel Number	: 1024x768
Pixel Pitch (mm)	: 0.297 (H) x 0.297 (V)
Contrast Ratio	: 600:1 (typ.)
Brightness	: 800 (typ.)
Viewable Angle(CR>=10)	: -75~75 (H); -60~50 (V)
Active Display Area	: 304.1 (H) x 228.1 (V)
Max Colors	: 16.7M (8bits/color)
Touch(Optional)	: 5 Wire Resistive

## Mechanical and Environment

Dimensions (W x L x H)	: 398 mm x 308 mm x 58mm
Power Input	: DC 12V w/ lockable connector
Power Consumption	: 35W typ.
Operation Temperature	: -10 deg.C to 55 deg.C
Operation Humidity	: 10% to 95% (non condensing)
Shock*	: Operating:40g for 11ms
Vibration*	: Operating: 1.62/2.02/2.20g rms for XYZ / 5-500Hz
Certifications	: CE, FCC ClassB MIL810Ffor Vibration /Shock

\* When use SSD or Industrial Compact Flash

## I/O Connectors

Back Panel I/O Port	: 1 x VGA(IP67) 1 x power (IP67) 1 x RS232/USB for Touch Screen (Optional w/ touch)
---------------------	--

## Certifications

- CE
- FCC ClassB
- MIL810F for Vibration /Shock

## In Front Control

Control Button	: Menu / Auto-adjust / SWAP/ PIP Button Brightness Up / Increase Button Brightness Down / Decrease Button LED button brightness Display Power Button
LED indicator	: Power On/ Off Sleep

## Product Optional Items

Wide Temperature	Extended temperature -20 to 60 deg. C module build-in for optional
Video Input	Composite Video, S-Video for optional
Touch / Anti-reflective Glass	3mm Anti-reflective Protection Glass
Wide Power Input Range	One robust bracket with locking handle (Can adjust from -5deg. to 90deg.) 8V to 36V wide range acceptable for optional

