

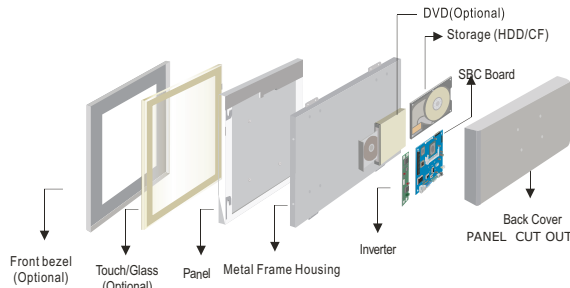
R12-IP65

12.1" Panel PC (Intel® Atom N270 + 945GME Platform)

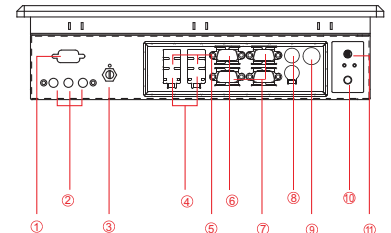
Mechanical Design



Front Ip65 (10mm front bezel)



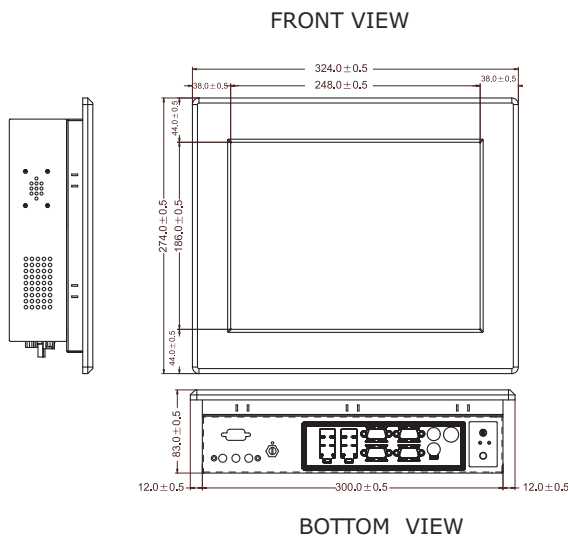
Mechanical design



1. RS-232 Conn.(Optional)
2. Audio Jack
3. Brightness Adjustment Knob
4. RJ-45
5. USB
6. VGA Out
7. RS-232 Conn.
8. PS/2
9. DC-IN Lockable Power Jack
10. Power On Button
11. Power Reset Button

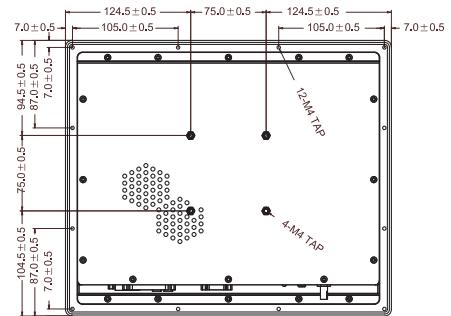
Fully Integrated I/O

Dimensions



SIDE VIEW

BACK VIEW



- * Measurements shown in mm
- * All Dimensions are ± 0.5 mm
- * Note: this is a simplified drawing and some components are not marked in detail. Please contact our sales representative if you need further product information.

Specifications

System :

- CPU : Intel® Atom N270 1.6GHz Processor
- Memory Slot : 1 x DIMM, Max 2GB DDR2 400/533
- System Chipset : Intel® 945GSE/ICH7M
- IDE/SATA : 1 x 44pin IDE (UDMA 33/66/100)/2XSATA
- LAN : Dual Realtek RTL8111B Gigabit Ethernet
- Audio Codec : Realtek ALC655 codec

Input / Output :

- Serial Ports : 2 x RS232, 1 x RS232/422/485
- USB Ports : 4 x USB
- Keyboard / Mouse : 2 x PS/2
- Ethernet : 2 x RJ 45-10/100/1000 Mbps
- VGA : 1 x VGA (female)
- Audio : Line-Out, Line-In, Mic in

● Default setting:RS232

Power Specifications :

- Power Input : 12V DC IN (Lockable Power Jack)
- Power Consumption : 35W (typ.)(Max.backlight & high CPU load)

Accessories :

- External Adapter : 110~230V Ac-in power adapter

Panel Spec :

- Size/Type : 12.1" TFT
- Resolutions : 800 x 600
- Brightness : 400 cd/m2 (typ.)
- Contrast Ratio : 600 : 1(typ.)
- Viewing Angles : -70~70(H);-50~60(V)
- Max Colors : 16.2M

Environment Considerations :

- Operating Temperature : 0 deg.C to 50deg.C
- Operating Humidity : 30% to 90% (non condensing)

OS BSP / Driver Support :

- Support Windows 7 / Windows XP Embedded / Windows XPP Embedded / Linux 2.6 / Win CE 5.0,6.0

Order Options :

Mechanical : Open Frame	CPU : Check with Sales
Panel Mount(5mm bezel)	RAM : DDR2 1 GB / 2 GB
IP65(10mm bezel)	Storage : 2.5" HDD/SSD/CF
Chassis	DVD : Optional
Touch : 5-Wires Resistive(Optional)	OS : Win 7/Win XPe/Win XPPE
Anti-Reflective Protective Glass	
(A customized housing is needed if you have demands of SAW/IR/IT/SC touch)	

