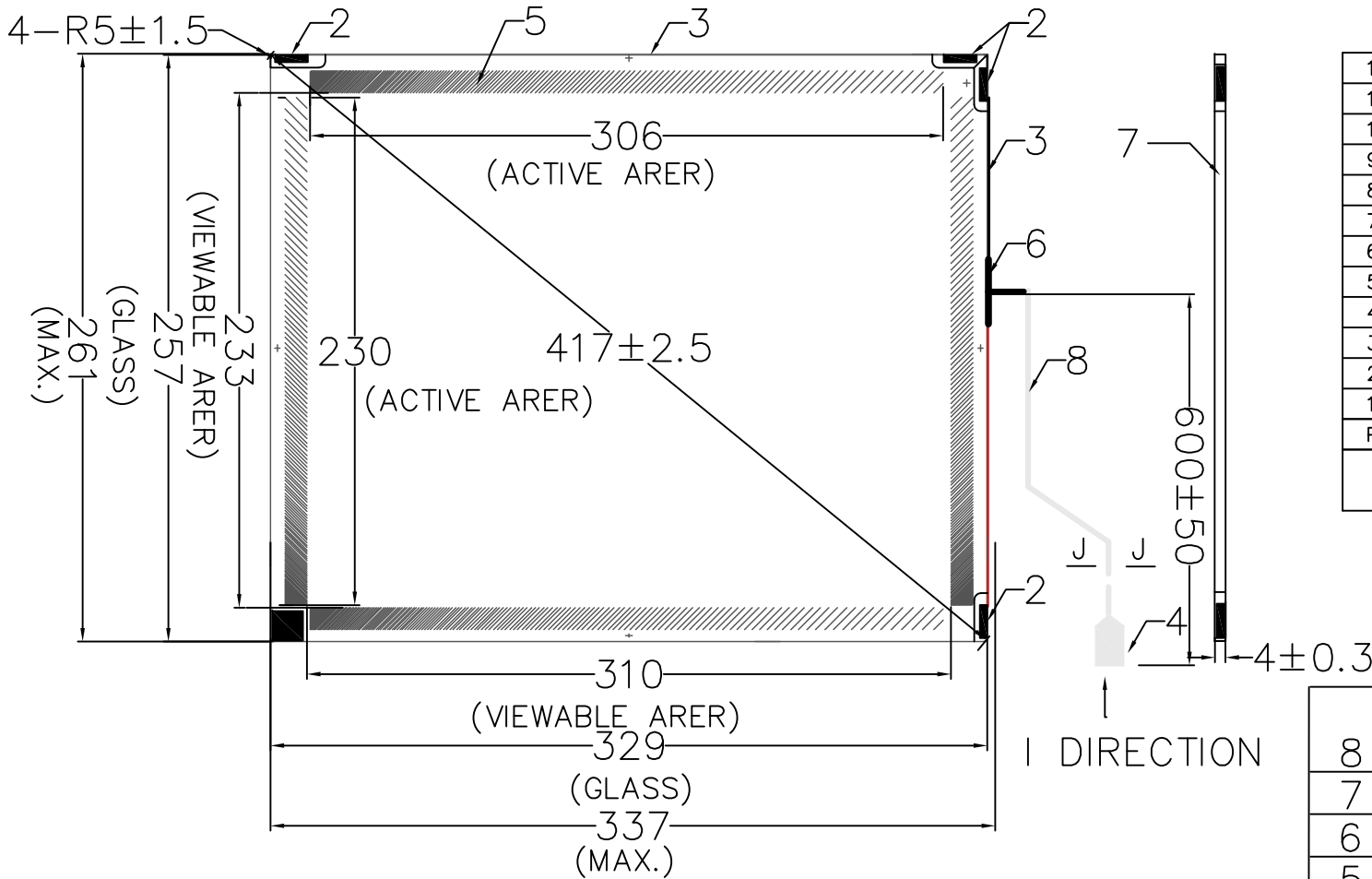


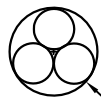
MODEL NO.
UTL-4B15N-1



12	KEY	
11	X-in1	RED
10	Xout	RED
9	X-in2	WHITE
8	GND	GREEN
7	GND	
6	GND	BLUE
5	Y-in1	BLACK
4	Yout	YELLOW
3	Y-in2	BLUE
2	KEY	
1	GND	
PIN	SIGNAL	INSUTLATION COLOR OVERALL SHIELD
CONNECTION CHART		

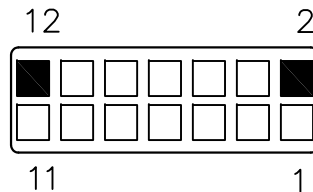
NOTE: ALL DIMENSION ARE IN MILLIMETERS.NO TOLERANCE DIMENSIONS ARE ±1mm .

J-J



∅6±0.5

I DIRECTION

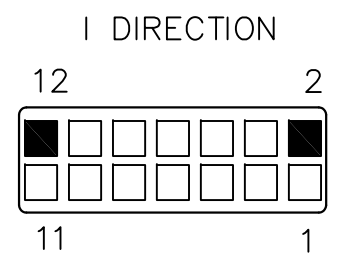
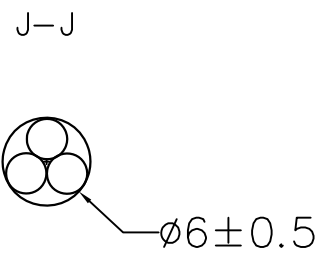
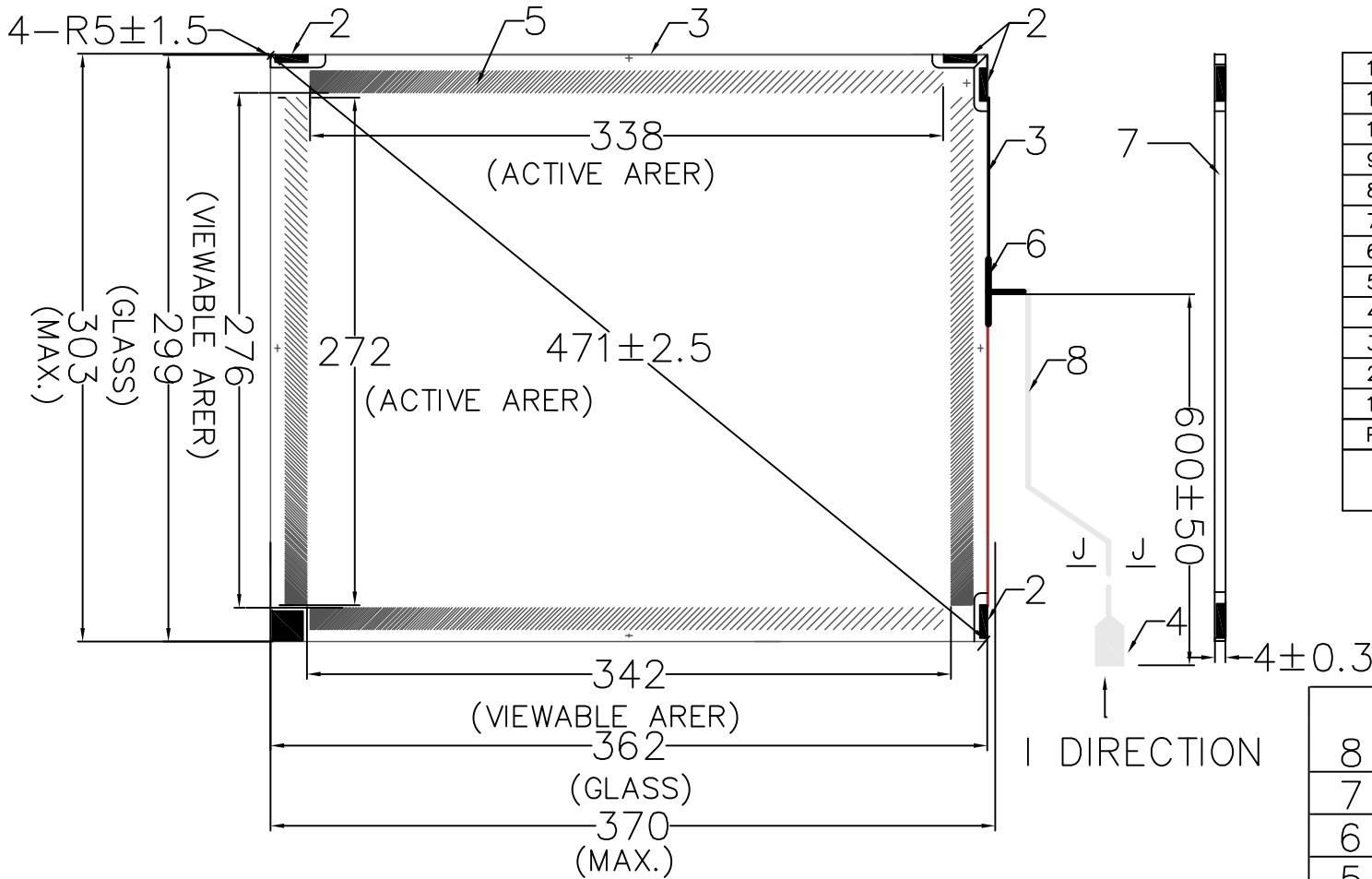


I DIRECTION

8	CABLE, OUTER LAYER MATERIAL: PVCBG01.9 THE TOUCH ACTIVE ARER IS LESS THAN THE VIEWABLE AREA TO FACILITATE SEALING.
7	GLASS BOARD.
6	CABLE CLIP, MATERIAL, METAL.
5	REFLECTIONAL ARRAY AND TRANSDUCER ON THE FRONT OF THE GLASS.
4	8X19 HOUSING MATES WITH CONTROLLER.
3	CABLE ROUTING ADDS A MAXIMUM OF 4.0mm TO INDICATED SECTION OF SCREEN.
2	TRANSDUCERS ARE LOCATED AT THE POSITIONS SHOWN. GLASS IS BEVELED UNDER THE TRANSDUCERS
1	
NO.	

Designed by		Microdata Sistemi Srl Via Vincinella, snc 19037 Santo Stefano di Magra (SP) ITALY tel 0187.631920 Fax 0187.631928 email: info@microdata.it web www.microdata.it	
Checked by			
DWG NO.	JLY-TS-UTL-4B15N-1	Date	02/06/06

MODEL NO.
UTL-4B17N-1

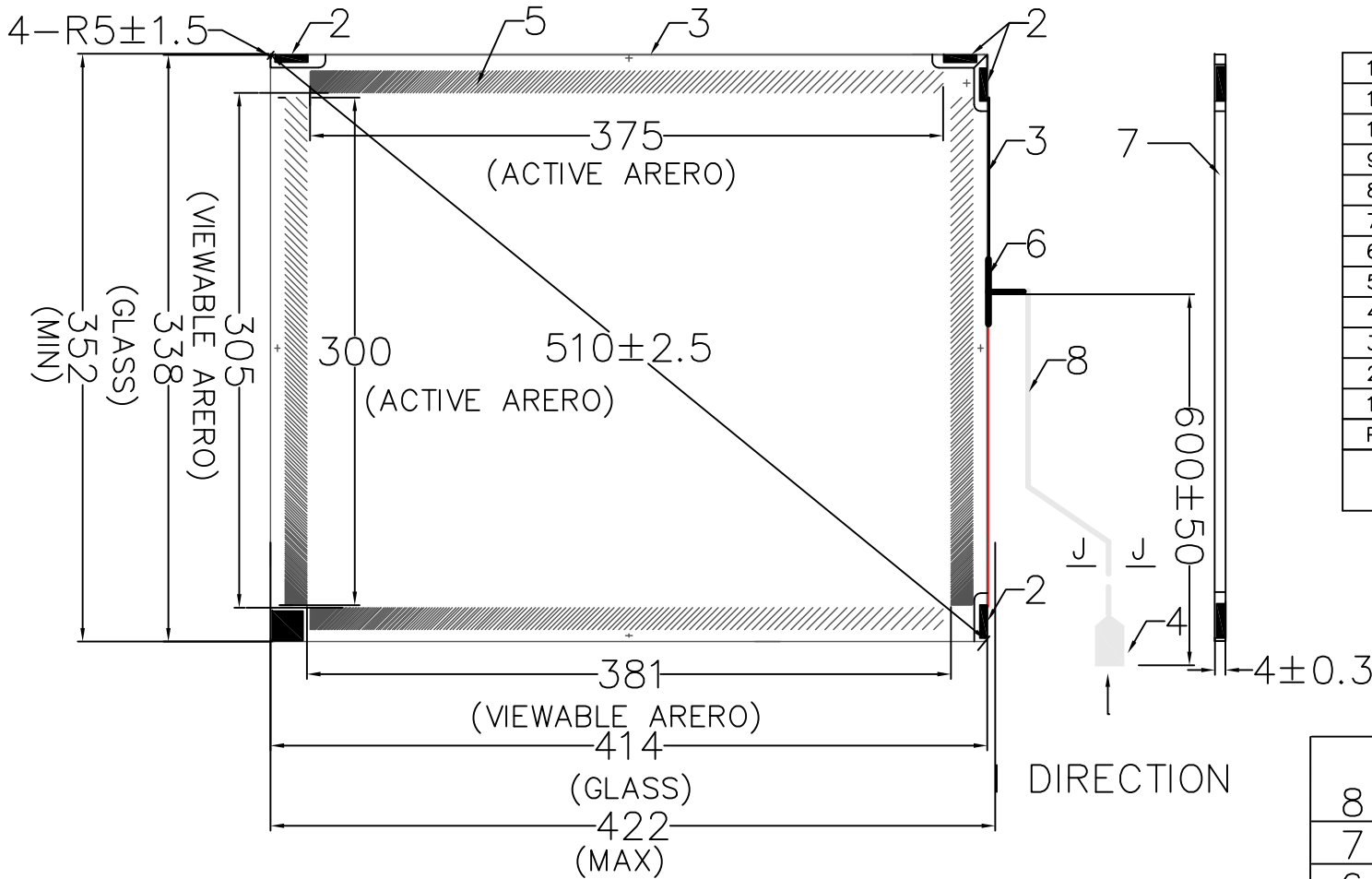


12	KEY	
11	X-in1	RED
10	Xout	RED
9	X-in2	WHITE
8	GND	GREEN
7	GND	
6	GND	BLUE
5	Y-in1	BLACK
4	Yout	YELLOW
3	Y-in2	BLUE
2	KEY	
1	GND	
PIN	SIGNAL	INSUTLATION COLOR OVERALL SHIELD
CONNECTION CHART		

NOTE: ALL DIMENSION ARE IN MILLIMETERS.NO TOLERANCE DIMENSIONS ARE ±1mm .

8	CABLE, OUTER LAYER MATERIAL: PVCBG01.9 THE TOUCH ACTIVE ARER IS LESS THAN THE VIEWABLE AREA TO FACILITATE SEALING.
7	GLASS BOARD.
6	CABLE CLIP, MATERIAL, METAL.
5	REFLECTIONAL ARRAY AND TRANSDUCER ON THE FRONT OF THE GLASS.
4	8X19 HOUSING MATES WITH CONTROLLER.
3	CABLE ROUTING ADDS A MAXIMUM OF 4.0mm TO INDICATED SECTION OF SCREEN.
2	TRANSDUCERS ARE LOCATED AT THE POSITIONS SHOWN. GLASS IS BEVELED UNDER THE TRANSDUCERS
1	
NO.	

Designed by		Microdata Sistemi Srl Via Vincinella, snc 19037 Santo Stefano di Magra (SP) ITALY tel 0187.631920 Fax 0187.631928 email: info@microdata.it web www.microdata.it	
Checked by			
DWG NO.	JLY-TS-UTL-4B17N-1	Date	02/06/06



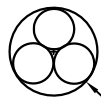
12	KEY	
11	X-in1	RED
10	Xout	RED
9	X-in2	WHITE
8	GND	GREEN
7	GND	
6	GND	YELLOW
5	Y-in1	BLACK
4	Yout	BLUE
3	Y-in2	BLUE
2	KEY	
1	GND	
PIN	SIGNAL	INSULATION COLOR OVERALL SHIELD

CONNECTION CHART

NOTE: ALL DIMENSION ARE IN MILLIMETERS. THE TOLERANCE OF ALL ARE ±1mm .

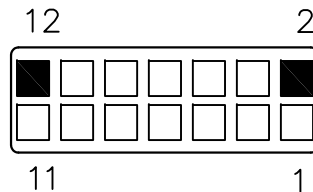
DIRECTION

J-J



∅6±0.5

I DIRECTION



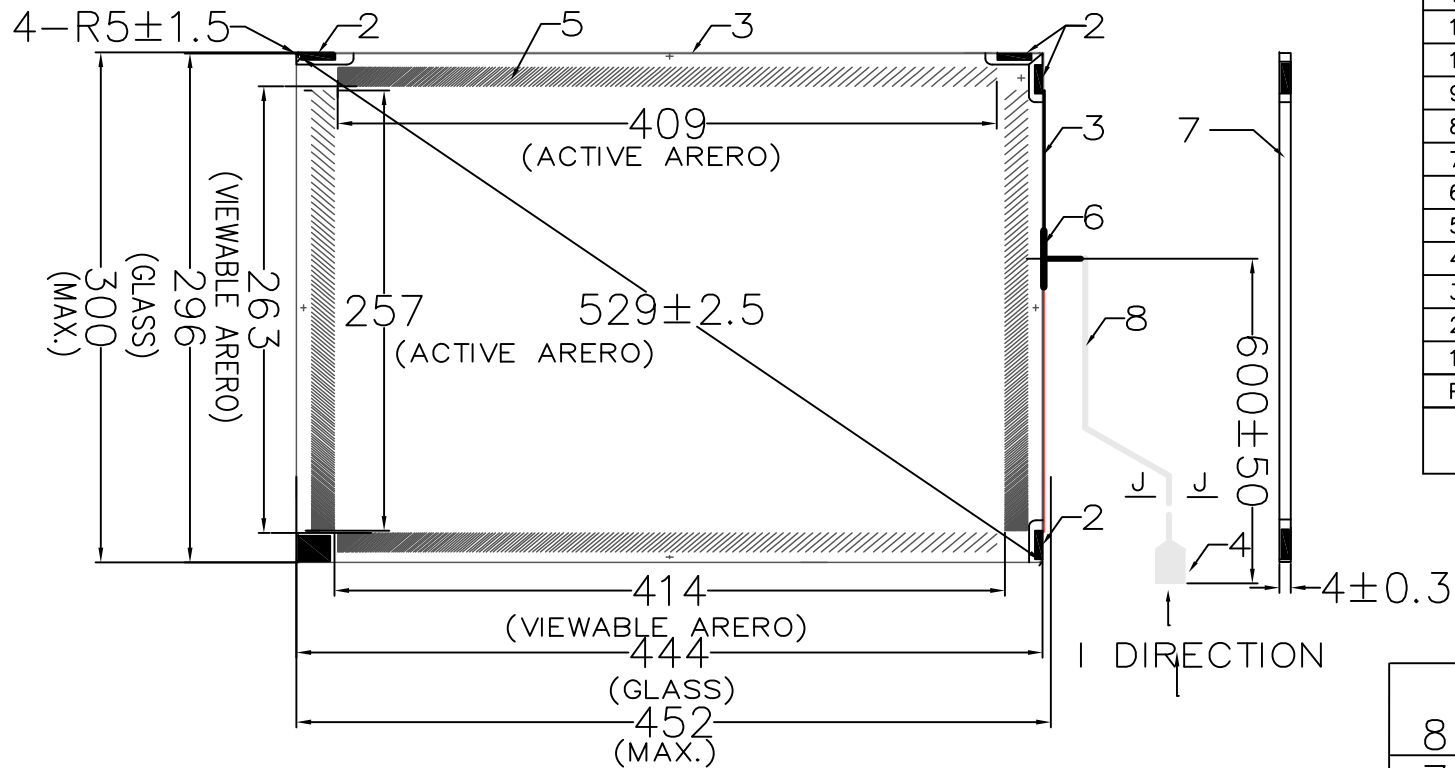
8	CABLE, OUTER LAYER MATERIAL: PVCBG01.9 THE TOUCH ACTIVE ARER IS LESS THAN THE VIEWABLE AREA TO FACILITATE SEALING.
7	GLASS BOARD.
6	CABLE CLIP, MATERIAL: METAL.
5	REFLECTIONAL ARRAY AND TRANSDUCER ON THE FRONT OF THE GLASS.
4	8X19 HOUSING MATES WITH CONTROLLER.
3	CABLE ROUTING ADDS A MAXIMUM OF 4.0mm TO INDICATED SECTION OF SCREEN.
2	TRANSDUCERS ARE LOCATED AT THE POSITIONS SHOWN. GLASS IS BEVELED UNDER THE TRANSDUCERS
1	
NO.	

PART NO.
UTL-4B19



Microdata Sistemi Srl
Via Vincinella, snc
19037 Santo Stefano di Magra (SP) ITALY
tel 0187.631920 Fax 0187.631928
email: info@microdata.it web www.microdata.it

MODEL NO.
UTW-4B19-1

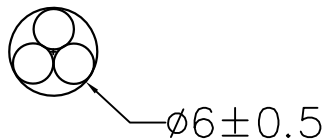


12	KEY	
11	X-in1	RED
10	Xout	RED
9	X-in2	WHITE
8	GND	GREEN
7	GND	
6	GND	BLUE
5	Y-in1	BLACK
4	Yout	YELLOW
3	Y-in2	BLUE
2	KEY	
1	GND	
PIN	SIGNAL	INSULATION COLOR OVERALL SHIELD

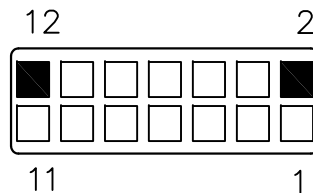
CONNECTION CHART

NOTE: ALL DIMENSION ARE IN MILLIMETERS. NO TOLERANCE DIMENSIONS ARE ±1mm .

J-J



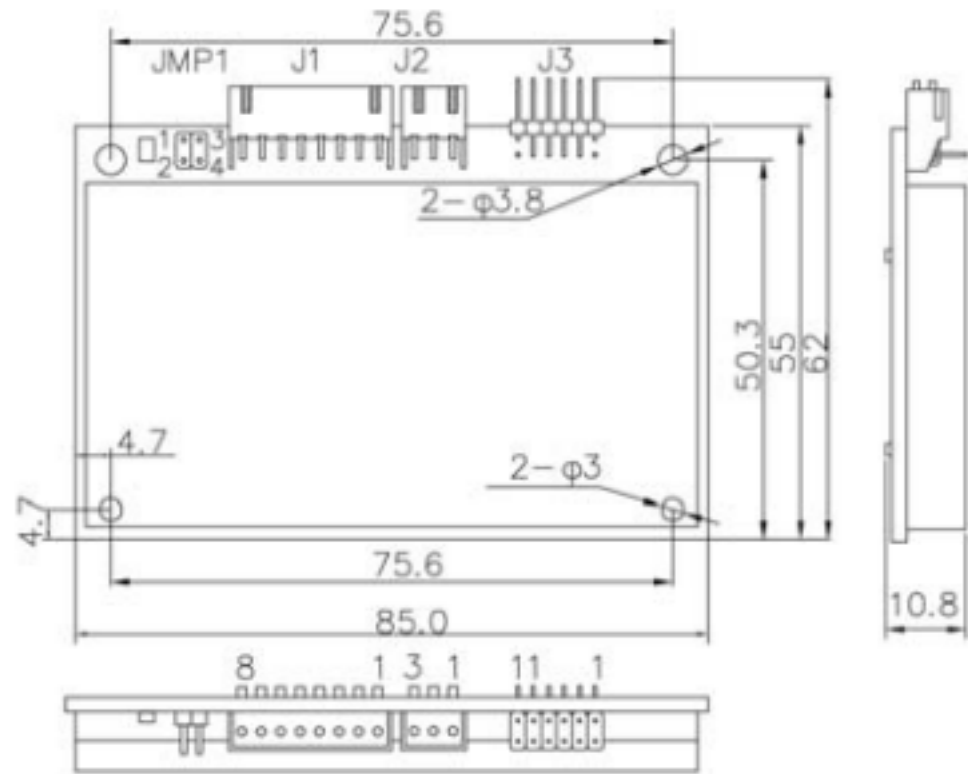
I DIRECTION



8	CABLE, OUTER LAYER MATERIAL: PVCBG01.9 THE TOUCH ACTIVE ARER IS LESS THAN THE VIEWABLE AREA TO FACILITATE SEALING.
7	GLASS BOARD.
6	CABLE CLIP, MATERIAL, METAL.
5	REFLECTIONAL ARRAY AND TRANSDUCER ON THE FRONT OF THE GLASS.
4	8X19 HOUSING MATES WITH CONTROLLER.
3	CABLE ROUTING ADDS A MAXIMUM OF 4.0mm TO INDICATED SECTION OF SCREEN.
2	TRANSDUCERS ARE LOCATED AT THE POSITIONS SHOWN. GLASS IS BEVELED UNDER THE TRANSDUCERS
1	
NO.	

Designed by		Microdata Sistemi	Microdata Sistemi Srl Via Vincinella, snc 19037 Santo Stefano di Magra (SP) ITALY tel 0187.631920 Fax 0187.631928 email: info@microdata.it web www.microdata.it	
Checked by				
DWG NO.	JLY-TS-UTL-4B19	Date	02/06/06	

MODEL NO.
UTL-CBD-USB/RS23




JMP1			
1	2	OFF	screen size ≤ 17"
1	2	ON	17" < screen size ≤ 21"
3	4	OFF	NOT USE
3	4	ON	NOT USE

J1		DB9 to PC		USB to PC	
1	+12V				
2	GND				
3	GND				
4	RXD	3	TXD		
5	TXD	2	RXD		
6	D-			2	D-
7	D+			3	D+
8	DGND	5	DGND	4	GND

J2	
3	+12V
2	GND
1	GND

J3			
1	GND	7	GND
2	NC	8	GND
3	Y-in2	9	X-in2
4	Y out	10	X out
5	Y-in1	11	X-in1
6	GND	12	NC

Designed by			Microdata Sistemi Srl Via Vincinella, snc 19037 Santo Stefano di Magra (SP) ITALY tel 0187.631920 Fax 0187.631928 email: info@microdata.it web www.microdata.it	
Checked by				
DWG NO.	UTL-CBD-USB/RS23	Date	02/06/06	